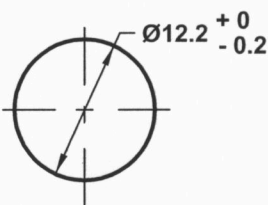

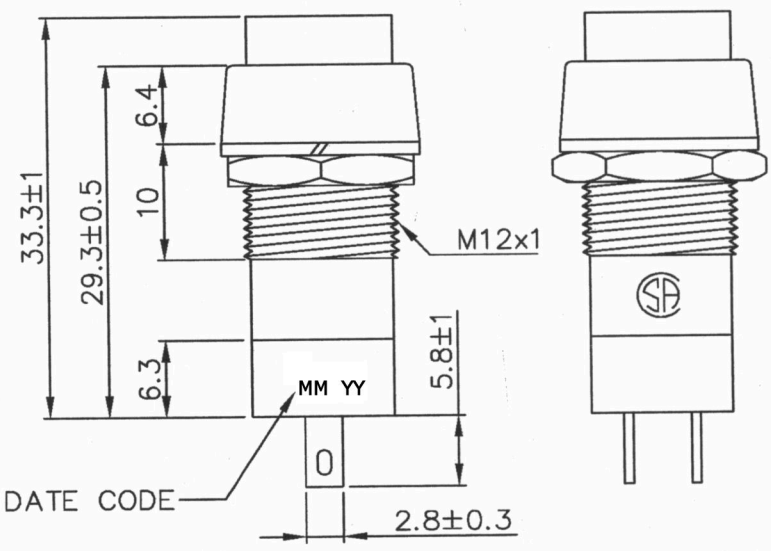
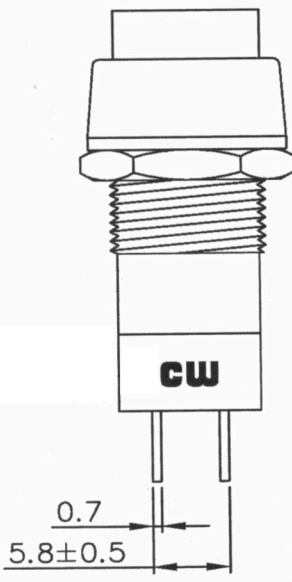
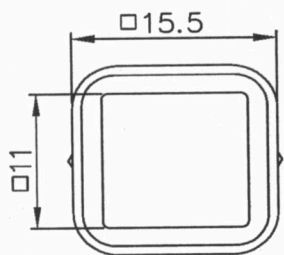


THIS INFORMATION IS CONFIDENTIAL AND PROPRIETARY TO CW INDUSTRIES INCORPORATED AND ITS AFFILIATES. IT MAY NOT BE DISCLOSED TO ANYONE, OTHER THAN CW INDUSTRIES PERSONNEL, WITHOUT WRITTEN AUTHORIZATION FROM CW INDUSTRIES INCORPORATED, SOUTHAMPTON, PENNSYLVANIA USA.

Rating	1.5A. 250V, 3A. 125V AC		
Contact Resistance	50m ohm max.		
Insulation Resistance	DC 500V 100M ohm min.		
Dielectric Strength	AC 1000V 1 minute		

Cut-Out 4mm thk. max.

BASE COLOR: Black
 BUTTON COLOR: Red



RoHS Compliant

CW INDUSTRIES
 Southampton, Pa. 18966
 Tel 215.355.7080/www.cwind.com

Date Drawn: 12/23/09

Rev. 0

Unit: mm

Checked By: G. Guld

Title: **PUSH BUTTON SWITCH**

CW P/N: **GPB023B05BR**